

Our Lady of Fatima School (Mairehau)



Block 1 (Classrooms 1-3)

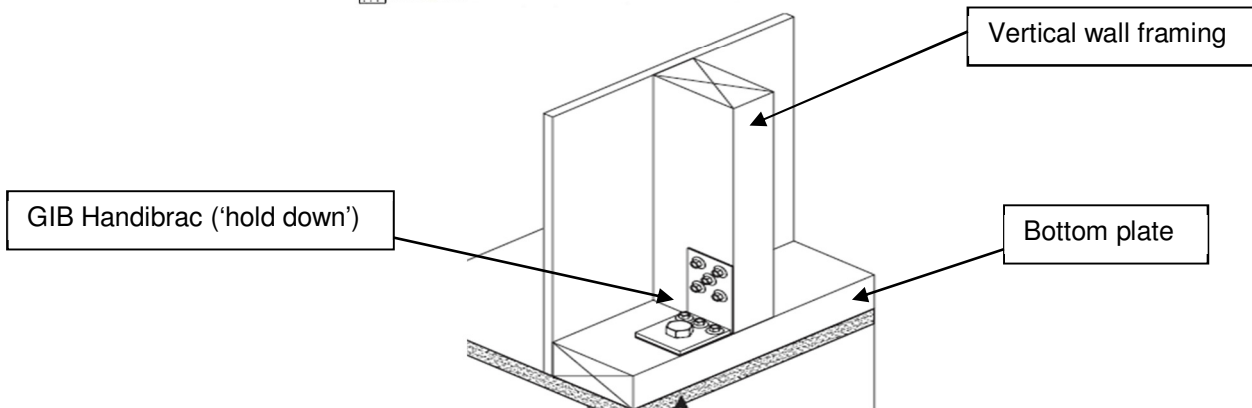
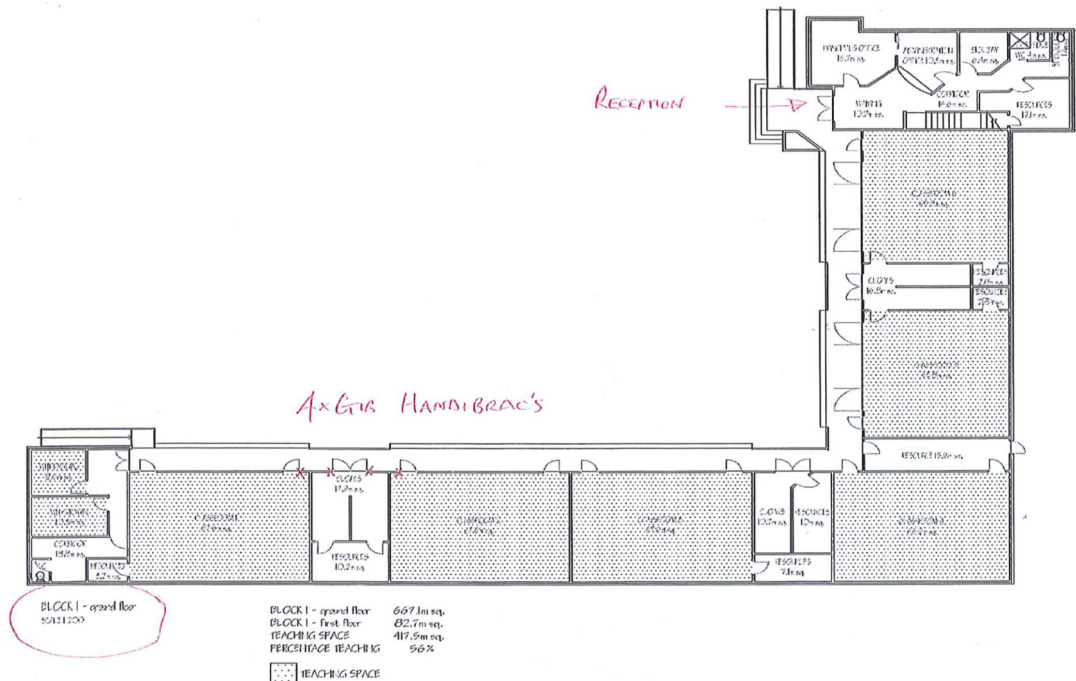
During the course of the yet to be completed detailed engineering evaluation (DEE) of Our Lady of Fatima School, the structural engineers from Opus International Consultants have determined Block 1 (classrooms 1-3) to be earthquake prone. This area of the building therefore requires strengthening work in order to meet appropriate building standards.

The structural engineers have alerted the Catholic Diocese of Christchurch to this preliminary finding and the Diocese has determined Block 1 is to be closed for occupancy forthwith.

The following actions will be undertaken:

1. Hann Construction will be on site on Monday 1st October 2012 to commence the appropriate bracing work that the structural engineers from Opus International have detailed and specified.

- The strengthening scheme involves the installation of four hold downs (GIB Handibrac) which will improve the bracing of wall to floor.



- This bracing work will improve the seismic capacity of Block 1 to 38% of the new building standard.
- Once this bracing work has been completed Block 1 will no longer be considered earthquake prone and will be able to be re-occupied for teaching and learning.
- It is anticipated that this work will be completed by 5pm on Wednesday 4th October 2012.

Mike Nolan
Manager
Catholic Education Office
1st October 2012